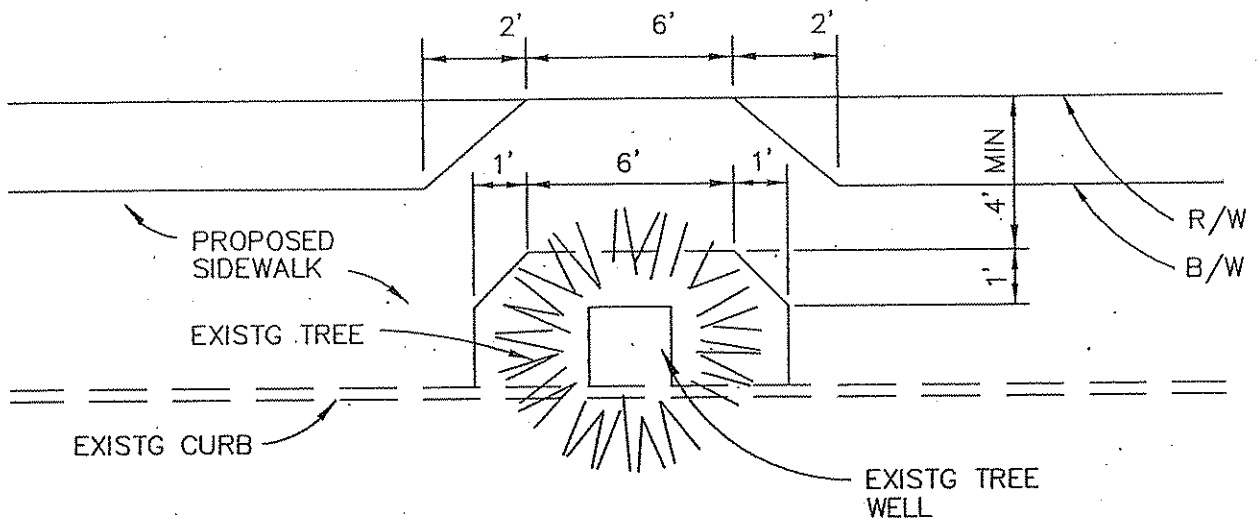


CASE I: GRADED PARKWAY N.T.S.



CASE II: CONCRETE PARKWAY N.T.S.



City of **Santa Monica**  
 Department of Public Works

1437 4th Street, Suite 300 Santa Monica, CA 90401  
 TEL (310) 458-8721 FAX (310) 393-4425  
 e-mail: smengineering@smgov.net

**SIDEWALK LAYOUT AT  
 TREE LOCATIONS**

SUBMITTED BY :

APPROVED BY :

*Joe Julian*  
 Director of Public Works / City Engineer

DATE : 3-18-2010

DRAWING NO.

SM 12

1 of 1